

POSH RESOLUTE



8,000 BHP / 108 TBP / DP1 / AHTS Call Sign:9V8660

Principal Particulars:

Flag	: Singapore
Year Built	: 2011
Place Built	: Paxocean Engineering Zhuhai Co., China
Length Overall	: 71.50 m
Length B.P.	: 61.20 m
Beam Overall	: 16.60 m
Depth Moulded	: 7.20 m
Design Draft	: 4.50 m
Scantling Draft	: 5.90 m
IMO No.	: 9587908
Official No.	: 396073

Classification:

ABS +A1, Towing Vessel, Fire Fighting Vessel Class 1, Offshore Support Vessel, (E), +AMS +ACCU + DPS-1, ES2020

Capacities:

Gross Tonnage	: 2588 tons
Net Tonnage	: 766 tons
Deadweight	: 1057 tons@4.5m draft
	: 2457 tons@5.9m draft
Fuel Tank	: 763 m ³
Potable Water	: 541 m ³
Drill Water	: 1524 m ³
Mud Tank	: 448 m ³
Brine	: 312 m ³
Foam	: 10 m ³
Dispersant	: 13 m ³
Deck Cargo Area	: 450 m ² (approx. 35m x 12.8m)
Deck Cargo	: 900 tons
Cargo Deck Load	: 10T/m ² for area abt 160 m ²
Reefer Points	: 4 (2x440v, 2x220v)

Speed/Fuel:

Max Speed	: 14 kts
Quality of Fuel	: MGO

Discharging Rates:

Drill Water/Pump	: 1 x 150 m ³ /hr@75m head
Fresh Water/Pump	: 1 x 150 m ³ /hr@75m head
Fuel/Pump	: 1 x 150m ³ /hr@70m head
Brine/Pump	: 1 x 100 m ³ /hr@75m head
Liquid mud/Pump	: 1 x 100 m ³ /hr@75m head
Loading Computer	: Bridge control
Flow Meter	: 1 for FO with printer output

Bulk Plant:

220 m³ in 4 tanks
Working pressure 6 bar; Refrigeration Air Dryer units

Accommodation:

Officer/Crew	: 17
Berth Total	: 40 (1manx4, 2menx4, 4menx7)
Cabins Total	: 15
Hospital	: 1
Air conditional throughout	

Machinery & Equipment:

Main Engines	: 2 x MAN B&W 8L27/38, total output 2 x 3,970BHP @ 800RPM
Generators	: 2 x 1200kW Shaft generators Leroy Somer @440V 3Ph 60Hz
	: 2 x 370kW diesel alternators Cat3408C @440V 3Ph 60Hz
	: 1 x 122kW emergency diesel alternator Volvo Penta @440V 3Ph 60Hz.
Propellers	: 2 x 3.4M CP propellers in fixed nozzles, 2 independent high lift type rudders
Bow Thruster	: 2 x 450kW CP rated 7.1T Tunnel thruster
Stern Thruster	: 1 x 450kW CP rated 7.1T Tunnel thruster
Deck Crane	: 5T Knuckle Boom @ 18m radius (mounted on stbd side aft of accom)

Tow/Anchor-handling Equipment:

Tow/AH Winch	: 1 x double drum waterfall, low pressure; Stall Pull 200T Brake holding 300T Brake holding capacity @400 tons; Rig Chain size 76mm dia
	: 2 x 1500m each @ 64mm dia wire
Wire Drum	: 2 x 1500m each @ 64mm dia wire
Storage Drum	: 1 x 5T @ 0-30m/min 1500m 64mm sw rope
Tugger Winch	: 2 x 10T each @ up to 16m/min
Shark Jaw	: 1 x Triplex H200, SWL 200 tons
Tow Pin	: 1 x Triplex S115, SWL 115 tons
Capstans	: 2 x 5T each @ 0-15m/min
Stern Roller	: 1 x 300 tons SWL, 6m x 2m dia
Grapnel Hook	: 1 x 110 tons
J Hook	: 1 x 110 tons
Wildcats	: 2 units
Chain Lockers	: 2 x 80m ³

Towing / AH Wires:

Main Tow Wire	: 1500m x 56mm dia
AH Wire	: 350m x 64mm dia
Spare tow Wire	: 1500m x 56mm dia
Pennant Wire	: 64mmx100m & 64mmx60m with both end aluminum mechanical spliced thimble

Mooring Equipment:

Windlass	: 10T @ 9m/min for chain cables
Anchors	: 2 x AC-14 Stockless anchors each 2140kg
Cables	: 350m x 38mm dia

DP/Joystick Control:

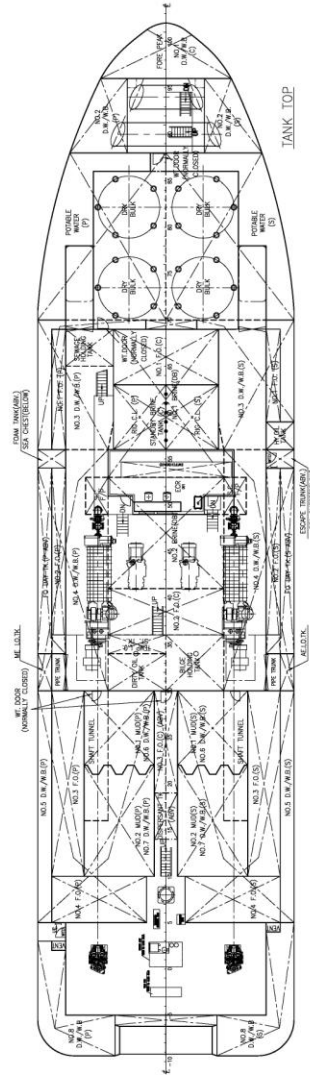
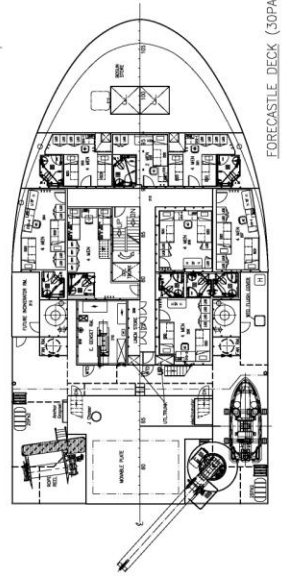
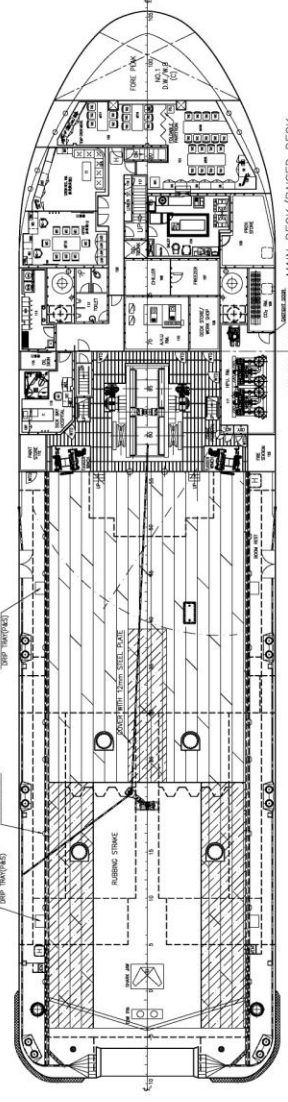
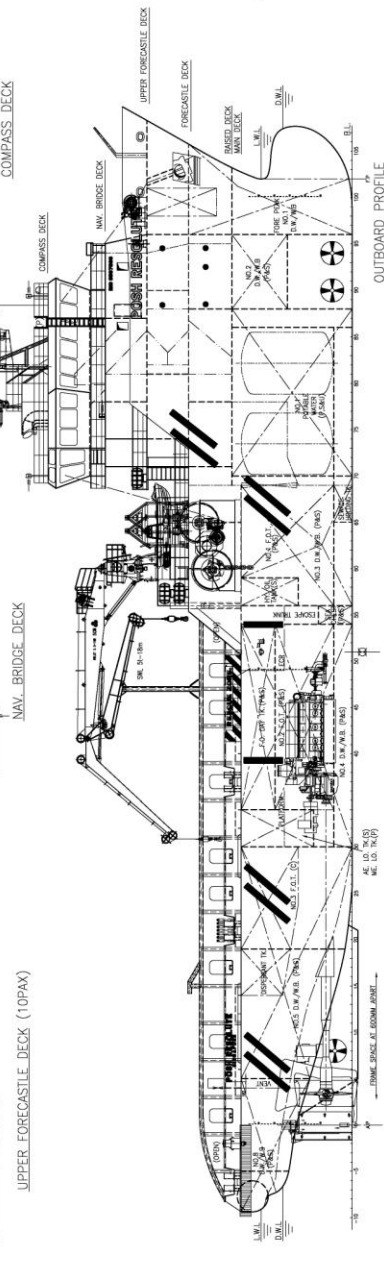
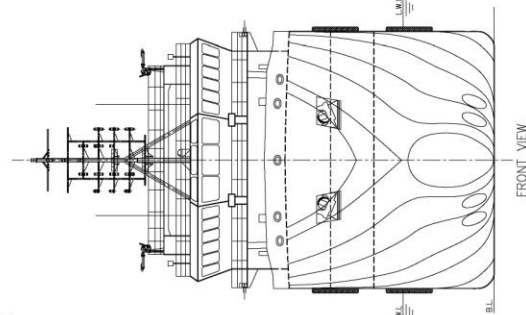
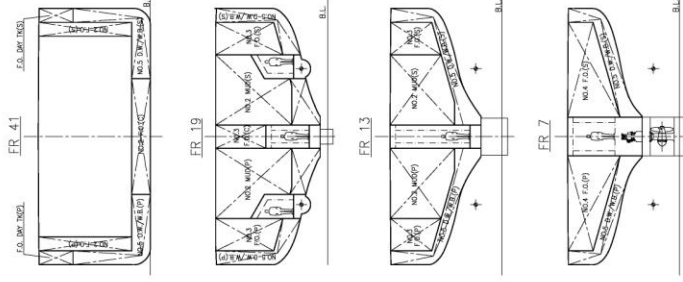
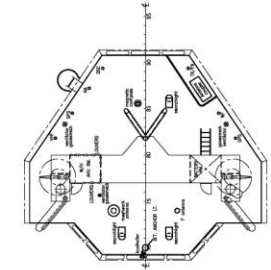
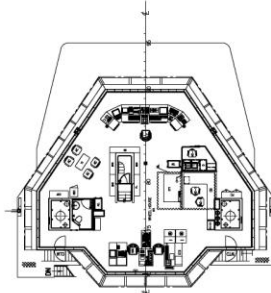
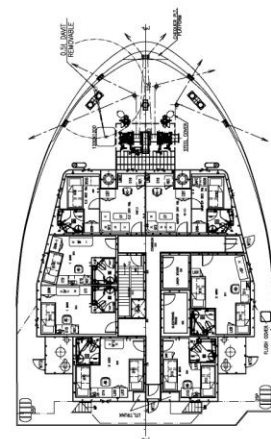
Converteam Independent Joystick (IJS) ADP-1 system

Fifi 1 System/Oil Pollution Control:

2 x 1650m ³ /hr @ 140m head; Class FiFi I, Dispersant	
Foam Tank	: 10.65 m ³
Dispersant Boom	: 2 x 6m max. turning radius located on port and starboard

Navigation & Communication Equipment:

HF/FM/Telex	: Furuno FS-2570
VHF fixed	: 2 x Furuno FM-8800S
VHF portable	: McMurdo R2
Inmarsat C	: Furuno FELCOM 15 SSAS
Navtex	: Furuno NX-700B
Autopilot	: SIMRAD AP-50
Radar ARPA	: Furuno FAR 21x7 / FR1510-3
Surface plotting	: Yes
DGPS	: Furuno GP-150
Gyro	: SIMRAD GC 80
Echo Sounder	: Furuno FE 700
AIS Transponder	: Furuno FA 150
Speed Log	: Furuno DS-80
GMDSS Radio	: 3 pcs, McMurdo R2
Magnetic Compass	: SAURA Keiki Seisakusho



PRINCIPAL PARTICULARS

LENGTH OA	71.50m
LENGTH BP	61.20m
BEAM MLD.	16.60m
DEPTH MLD.	7.20m
DRAFT DESIGNED	4.50m
DRAFT SCANTLING	5.90m
COMPLEMENT	40 MEN
CARGO DK. LOADING	107M ³ FR-5-23 57M ³ FR23-56

PaxOcean
PAC OFFSHORE SERVICES HOLDINGS PTE. LTD.
PaxOcean Engineering Zhuhai Co., Ltd.
珠海太平洋船舶工程有限公司

DESIGN NO. 2011-09-09
DRAWN BY: [Name]
CHECKED BY: [Name]
DATE: 2011-09-09

NO. 101
NO. 102
NO. 103
NO. 104
NO. 105
NO. 106
NO. 107
NO. 108
NO. 109
NO. 110
NO. 111
NO. 112
NO. 113
NO. 114
NO. 115
NO. 116
NO. 117
NO. 118
NO. 119
NO. 120

Scale: 1:100
Scale: 1:200
Scale: 1:500
Scale: 1:1000
Scale: 1:2000
Scale: 1:5000
Scale: 1:10000